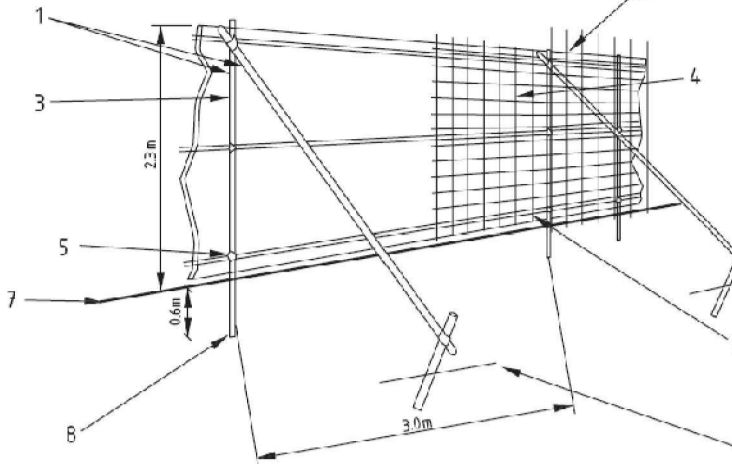


Protective Measures

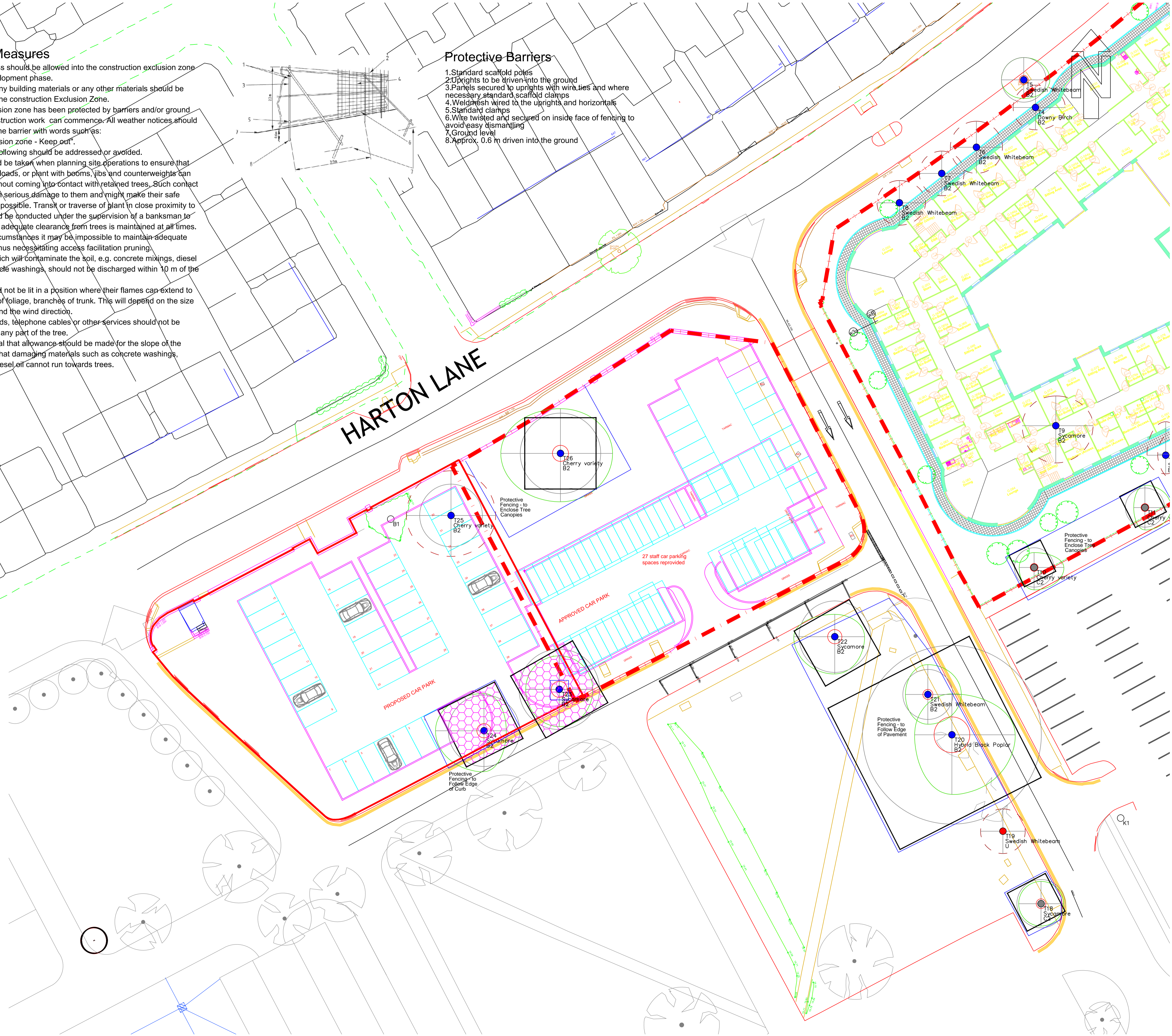
- No works access should be allowed into the construction exclusion zone during the development phase.
- No storage of any building materials or any other materials should be allowed within the construction Exclusion Zone.
- Once the exclusion zone has been protected by barriers and/or ground protection, construction work can commence. All weather notices should be erected on the barrier with words such as: "Construction exclusion zone - Keep out".
- In addition the following should be addressed or avoided.
 - Care should be taken when planning site operations to ensure that wide or tall loads, or plant with booms, jibs and counterweights can operate without coming into contact with retained trees. Such contact can result in serious damage to them and might make their safe retention impossible. Transit or traverse of plant in close proximity to trees should be conducted under the supervision of a banksman to ensure that adequate clearance from trees is maintained at all times. In some circumstances it may be impossible to maintain adequate clearance thus necessitating access facilitation pruning.
 - Material which will contaminate the soil, e.g. concrete mixings, diesel oil and vehicle washings, should not be discharged within 10 m of the tree stem.
 - Fires should not be lit in a position where their flames can extend to within 5 m of foliage, branches of trunk. This will depend on the size of the fire and the wind direction.
 - Notice boards, telephone cables or other services should not be attached to any part of the tree.
 - It is essential that allowance should be made for the slope of the ground so that damaging materials such as concrete washings, mortar or diesel oil cannot run towards trees.



Protective Barriers

- Standard scaffold poles
- Uprights to be driven into the ground
- Panels secured to uprights with wires and where necessary standard scaffold clamps
- Weld mesh wired to the uprights and horizontals
- Standard clamps
- Wire twisted and secured on inside face of fencing to avoid easy dismantling
- Ground level
- Approx. 0.6 m driven into the ground

HARTON LANE



9A Tankerville Place Jesmond Newcastle upon Tyne NE2 3AT
07773991474
admin@woodsman-arb.co.uk
www.woodsman-arb.co.uk

Arboricultural Impact Assessment Tree Protection Plan

Retained and Removed Trees Shown On Proposed Site Layout - With Protective Measures

NHS Harton Lane
For South Tyneside NHS

Drawing Number: TPP.NHS.HartonLane.N02
Edited Jim Richardson 08/02/2016
Scale 1:250 @A1
Revisions: No.2 - Additional Parking Bays.
Based on Original Plan: 2442-D-90-010
Proposed Plan

Key

- Tree Number
- Tree Name
- Retention Category
- T - Tree H+Hedge K - Small Tree
- B - Shrub G - Group W - Woodland
- S - Stump
- Green Centre
- High Retention Value
- (Divided By Letter A)
- Blue Centre
- Medium Retention Value
- (Divided By Letter B)
- Grey Centre
- Low Retention Value
- (Divided By Letter C)
- Red Centre
- Unsuitable Retention Value
- (Divided By Letter D)
- Existing Tree Canopy Tree Shape
- Tree Retained
- With NSEW Area Lines (Shaded Light Green)
- Future Tree Canopy - Approximate
- Predicted Growth (Shaded Dark Green)
- Current Shadow Cast - Approximate
- Future Shadow Cast - Approximate
- Existing Tree Canopy
- Tree Retained
- With NSEW Area Lines (No Shading)
- Root Protection Area - Indicative
- Root Protection Area 20% Allowable
- Movement From Centre (Movement Only Allowable Towards Areas With Favourable Rooting Conditions)
- Root Protection Area - Actual Area
- Polylines
- Protective Barrier Positioning
- (Continuous Blue Line)
- Ground Protection Required (Areas Indicated By Orange Hexagonal Hatching)
- Special No Dig Construction Methods Required (Areas Indicated With Hexagonal Magenta Hatching)
- Tree or Woodland Group (Areas Indicated With Dashed Dark Green Hatching)

©Woodsman Arboricultural Consultancy
Drawing produced in colour - monochrome re-productions should not be accepted.
All rights reserved. This drawing should not be reproduced without prior written permission. Do not scale from drawing. All dimensions to be verified on site. Discrepancies, omissions or ambiguities in dimensions, tree positioning or other information used in this drawing, or the accompanying report should be reported to Woodsman Arboricultural Consultancy for clarification.